

# LM-ER50-2 <sup>HOT</sup>

## ACCESSORIES :



Aluminum Profile  
Code:ER50-2



Aluminum diffuser  
Code:ER50-2-AD



Aluminum Endcap  
(with/without hole)  
Code:ER50-2-Cap  
Code:ER50-2-Cap-H



Spring Clip

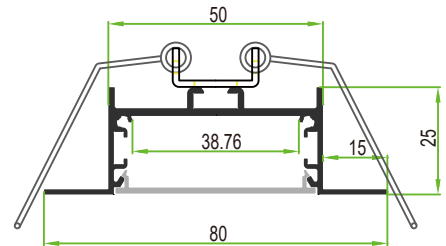


Joiners 90°A  
Code: J-90A

Joiners 90°B  
Code: J-90B

Joiners 180°A  
Code: J-180A

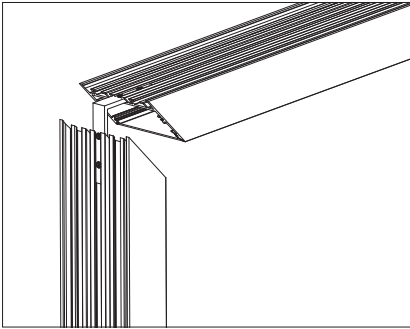
Joiners 120°  
Code: J-120



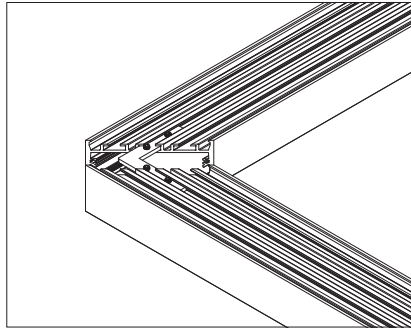
Optional Diffuser(PMMA)					
ER60					
Dimensions(mm)	Max strip width	Opal	New opal	Frosted	Clear
50*37.5	46mm	√	√	/	/
Code		ER50-2-O	ER50-2-N	/	/
Light Transmittance		60%	74%	/	/

<38.4W/m  
Aluminum Profile Weight:1.2kg/m  
Stocked length availability:2m,2.5m.  
Customized length below 6m upon your request.

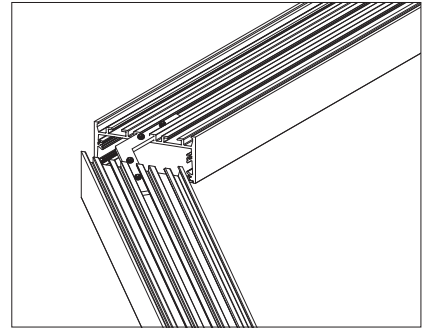
Applicable joiners



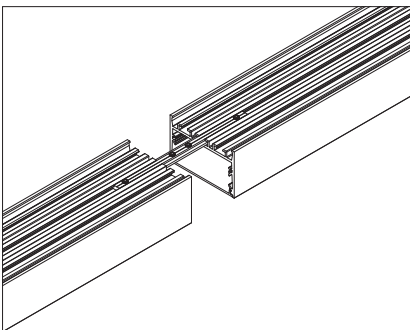
90°B



90°A

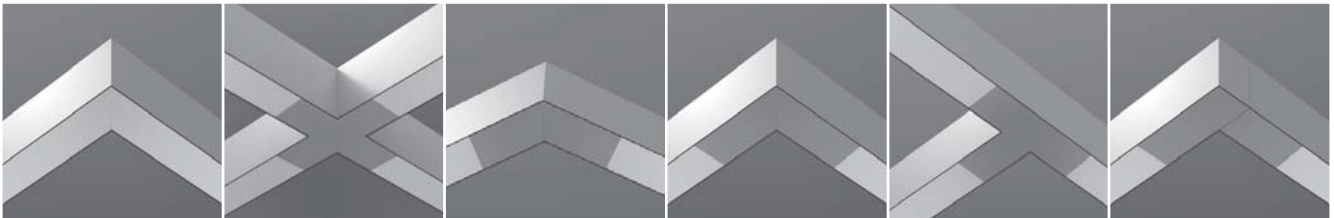


120°

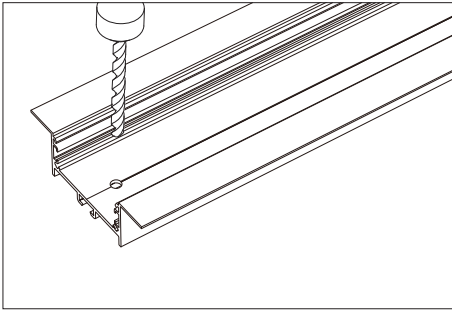


180°A

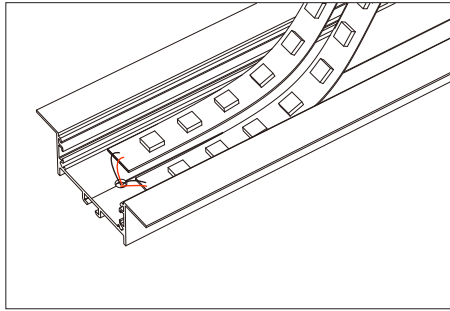
Other installation & Connection ways.



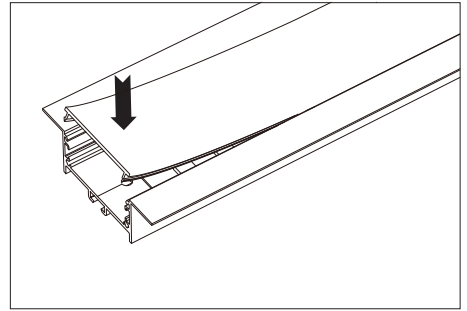
## Installing Instructions



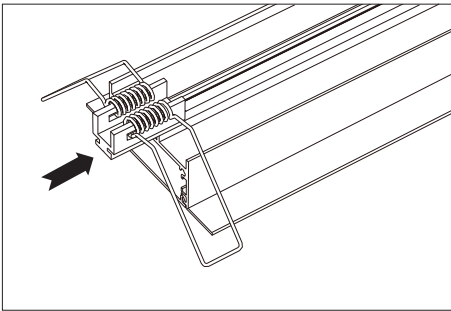
1. Drill a hole on the aluminium



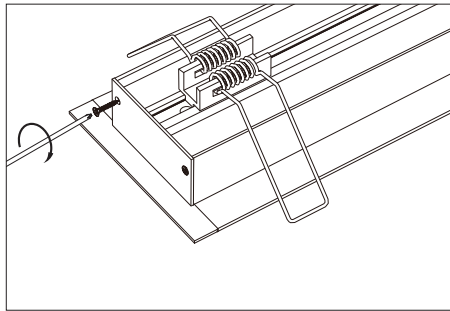
2. Fit the led strip on the aluminium



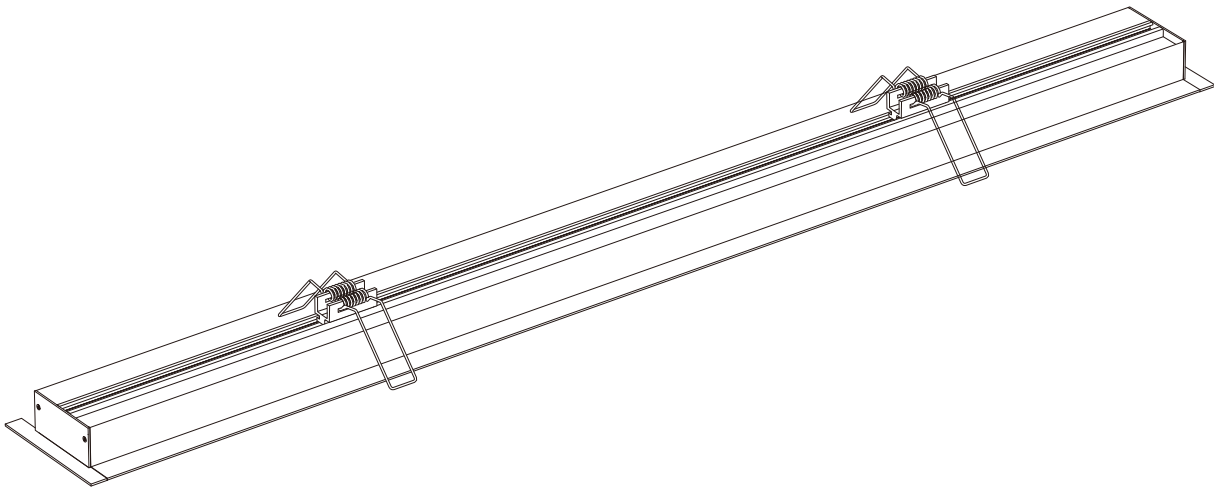
3. Click/snap on the diffuser from end to end



4. Install the Spring Clips



5. screws the end caps



6. Installation completed.



# Installing Instructions

Recessed

